

GN 426.5

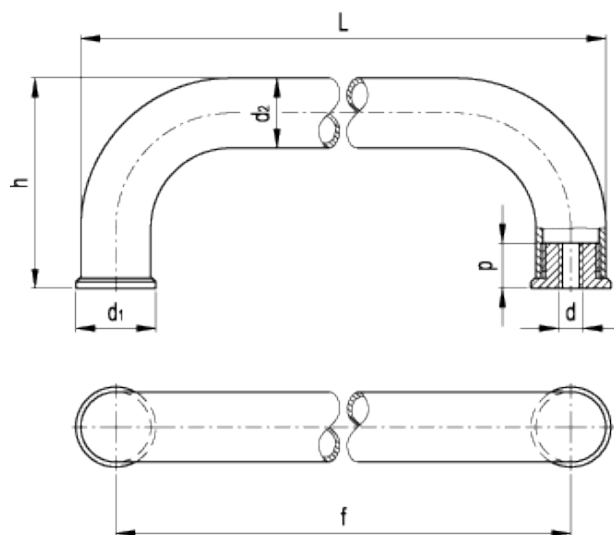
Cabinet handles



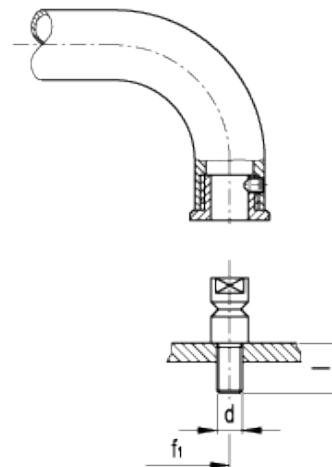
INOX
Stainless Steel



GN 426.5-A



GN 426.5-B



technical informations

Material

AISI 304 stainless steel tube, thickness 2 mm, sandblasted matte finish.

Assembly

AISI 303 stainless steel bosses in the tube.

- Execution A: back mounting.
- Execution B: front mounting to be assembled in pairs opposed to the standard execution.

Special executions on request (For sufficient quantities)

- Different lengths.

Features and applications

AISI 304 stainless steel, thanks to its high resistance to corrosion, allows the application of these handles on machines and equipment in those sectors where laws or particular hygienic, climatic and environmental factors make it mandatory to use corrosion resistant materials.

Standard Elements	Main dimensions						Threaded bosses			Weight
Description	L	f	$f_1 \pm 0.3$	h	d ₁	d ₂	d	p	l	g
GN 426.5-28-250-A	278	250	-	90	32	28	M10	17	-	575
GN 426.5-28-250-B	278	-	250	90	32	28	M10	-	20	605
GN 426.5-28-300-A	328	300	-	90	32	28	M10	17	-	630
GN 426.5-28-300-B	328	-	300	90	32	28	M10	-	20	690
GN 426.5-28-400-A	428	400	-	90	32	28	M10	17	-	775
GN 426.5-28-400-B	428	-	400	90	32	28	M10	-	20	825



ELESA and GANTER models all rights reserved in accordance with the law. Always mention the source when reproducing our drawings.

STANDARD MACHINE ELEMENTS WORLDWIDE